

Electrolytic Capacitors

(NON-POLARIZED (BI-POLARIZED) ALUMINUM ELECTROLYTIC CAPACITORS)



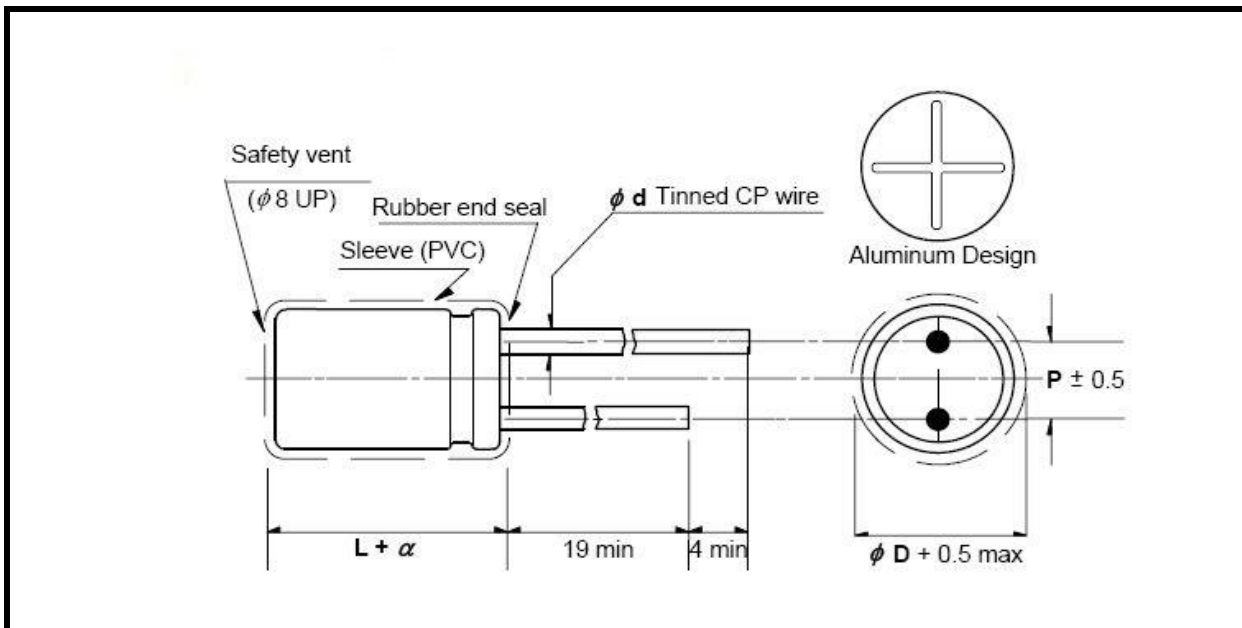
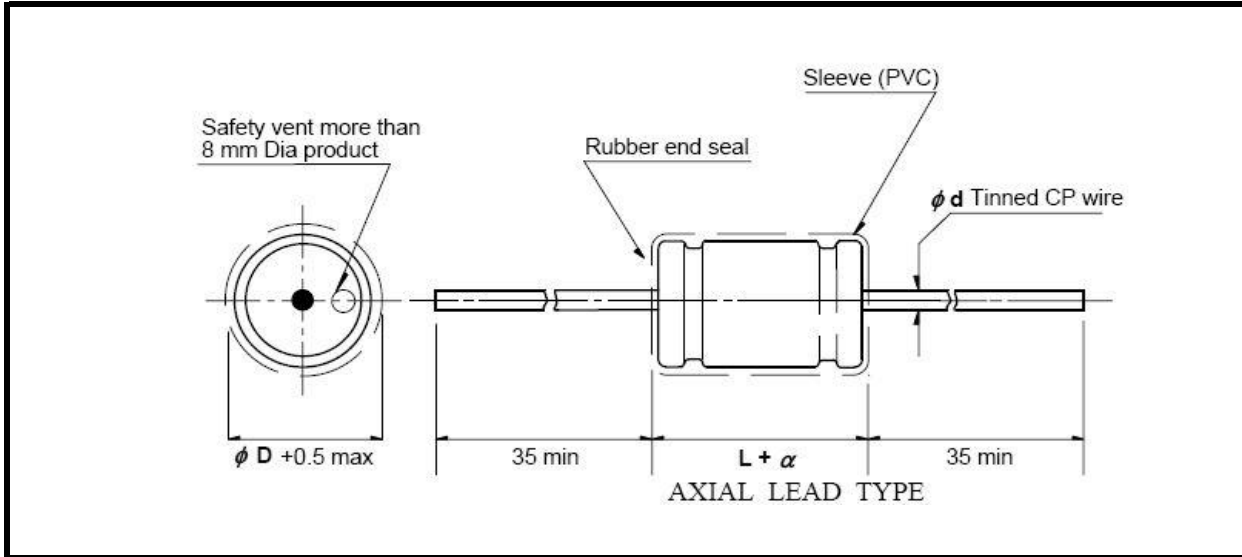
Type B6 (B06R and B06A)

Specifications:

Capacitance Tolerance:	- 10% (K) at 1 KHz
Leakage current:	Max. 0,03 CV + 3 uA (after 5 min. Application)
Temp. Range:	-40 C to + 85 C
Load life:	After 1000 hours of application at 85 +/- 2 C: a.) Capacitance change: Within +/- 25% of initial value b.) Tan: 150% or less of initial specification c.) Leakage current: Installed specified value or less
Max. Dissipation Factor:	Max. 6% at 1KHz

Dimensions:

Type B6 (B06R and B06A)



Unit (mm)

• $\cdot D$	8	10	13	16	18	22
• $\cdot d$	0.5	0.6	0.6	0.8	0.8	0.8
P	3.5	5.0	5.0	5.0	7.5	7.5
• •	1.0	1.5	1.5	1.5	1.5	2.0

$\S D$	8	10	13	16	18	22
$\S d$	0.6	0.6	0.6	0.8	0.8	0.8
α	1.5	1.5	2.0	2.0	2.0	2.0

Electrolytic Capacitors

(NON-POLARIZED (BI-POLARIZED) ALUMINUM ELECTROLYTIC CAPACITORS)



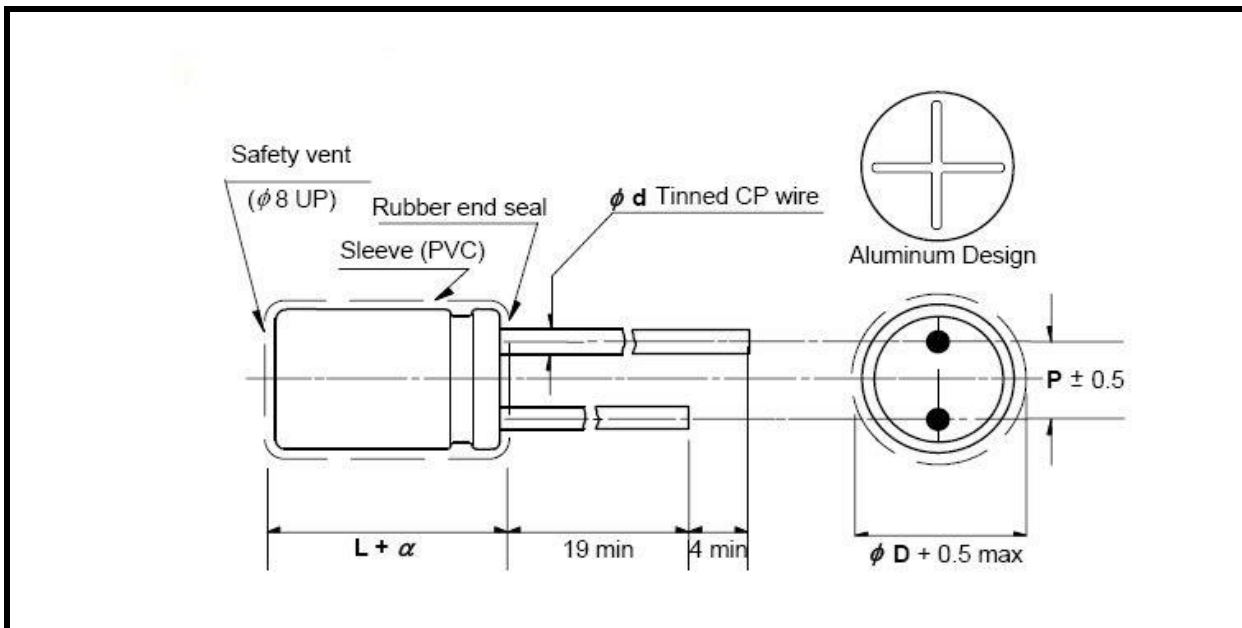
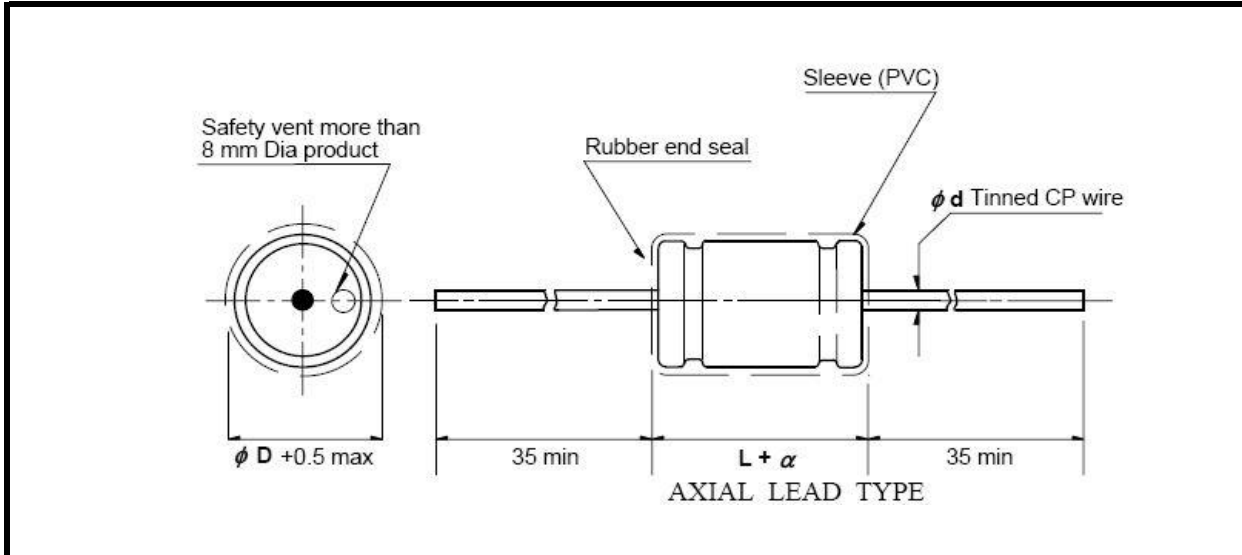
Type B10 (B10R and B10A)

Specifications:

Capacitance Tolerance:	- 10% (K) at 1 KHz
Leakage current:	Max. 0,03 CV + 3 uA (after 5 min. Application)
Temp. Range:	-40 C to + 85 C
Load life:	After 1000 hours of application at 85 +/- 2 C: a.) Capacitance change: Within +/- 25% of initial value b.) Tan: 150% or less of initial specification c.) Leakage current: Installed specified value or less
Max. Dissipation Factor:	Max. 10% at 1KHz

Dimensions:

Type B10 (B10R and B10A)



Unit (mm)

• D	8	10	13	16	18	22
• d	0.5	0.6	0.6	0.8	0.8	0.8
P	3.5	5.0	5.0	5.0	7.5	7.5
• •	1.0	1.5	1.5	1.5	1.5	2.0

§ D	8	10	13	16	18	22
§ d	0.6	0.6	0.6	0.8	0.8	0.8
α	1.5	1.5	2.0	2.0	2.0	2.0