

D 3" Midrange



Type Number: D75MX-41-08

Features:



Specs:

Electrical Data

Nominal impedance	Zn	8	ohm
Minimum impedance	Zmin	--	ohm
Maximum impedance	Zo	10	ohm
DC resistance	Re	5.65	ohm
Voice coil inductance	Le	--	mH

T-S Parameters

Resonance Frequency	fs	300	Hz
Mechanical Q factor	Qms	7.75	
Electrical Q factor	Qes	2.22	
Total Q factor	Qts	--	
Force factor	Bl	4.7	Tm
Mechanical resistance	Rms	--	Kg/s
Moving mass	Mms	3.3	g
Suspension compliance	Cms	--	mm/N
Effective cone diameter	D	--	cm
Effective piston area	Sd	55	cm ²
Equivalent volume	Vas	--	ltrs
Sensitivity (2.83V/1m)		92	dB

Power handling

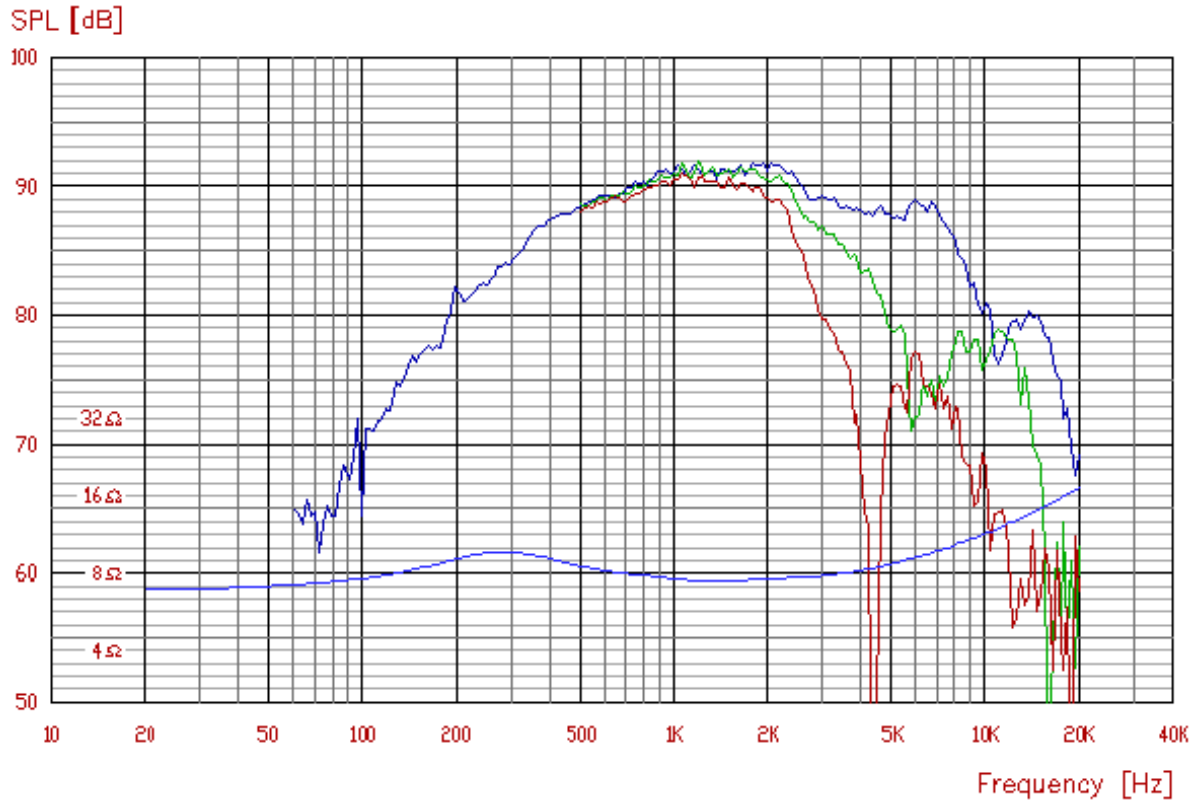
Long-term Max Power (IEC 18.3)	--	W
Max linear SPL (rms) @ power	--	dB/W
Short Term Max power (IEC 18.2)	--	W

Voice Coil and Magnet Parameters

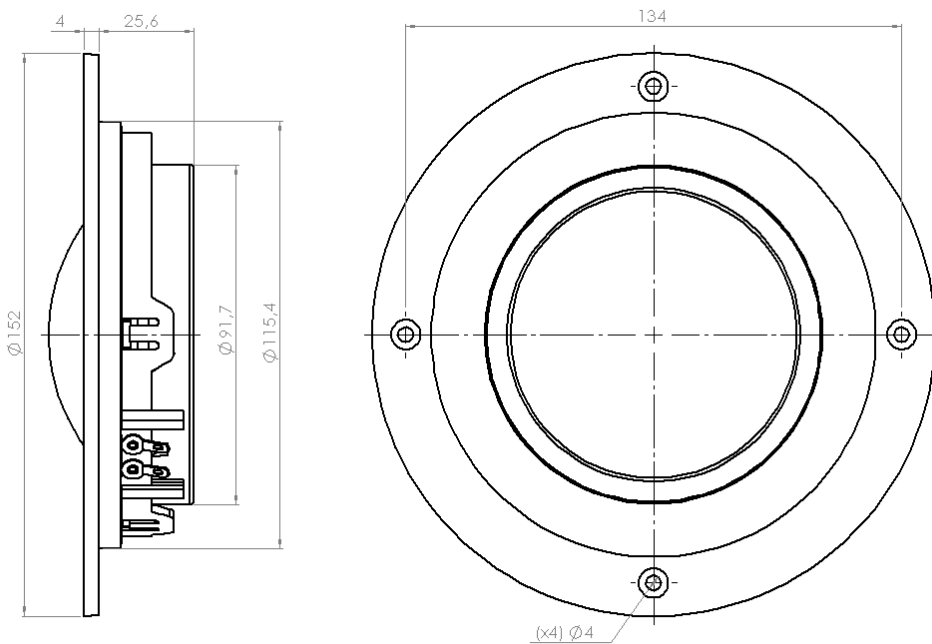
Voice coil diameter	76	mm
Voice coil height	3	mm
Voice coil layers	--	
Height of the gap	2	mm
Flux density of gap	--	mWb
Total useful flux	--	mWb
Diameter of magnet	--	mm
Height of magnet	--	mm
Weight of magnet	0.24	Kg

Notes:
IEC specs refer to IEC 60268-5 third edition.
All Tympany products are RoHS compliant.

Frequency: D75MX-41-08



Mechanical Dimensions: D75MX-41-08



D75MX-41-08